

Classification Confidential
Issuing Version KAON-20091209-KT1
Date December 09, 2009
Confidential Intellectual property of Kaon Media

Technical Specification

- MPEG-4 DVB-T SD Free To Air -

KTF-I270

CONFIDENTIAL

1.0 Version

December 09, 2009



www.kaonmedia.com



FEATURES

- DVB-T MPEG-2 MP@ML and H.264/MPEG-4 AVC MP@L3 Compliant
- MPEG Layer I and II, AAC Compliant
- Quick and easy installation & user-friendly menu
- User friendly remote control with colored buttons functions
- 16:9 and 4:3 aspect ratio supported
- NTSC/PAL Video Output and Auto Conversion
- Resolution: 720*576 PAL, 720*480 NTSC
- Teletext supported: OSG & VBI Insertion for TV
- Subtitle supported: DVB Subtitle / Teletext Subtitle
- Electronic Program Guide (EPG) for present/following event information and up to 7 days for on screen program information
- Dolby AC-3 Digital Audio Bitstream out through S/PDIF (Optical)
- MPEG-4 High Efficiency AAC (HE-AAC) supported
- Excellent Audio and Video Quality
- Separate Power Switch
- 4 Digit 7 Segment Display
- Multilingual On Sreen Menu (OSD)
- Installation by Easy Setup Guide
- Software upgrade via OTA and through RS-232 Serial Port

TECHNICAL SPECIFICATION

1. COMMODITY: MPEG-4/H.264 Compliant DVB-T Stand Definition(SD) Receiver

2. MODEL NAME: KTF-I270

3. DRAFT LAYOUT

3-1 DESIGN

<Front View>



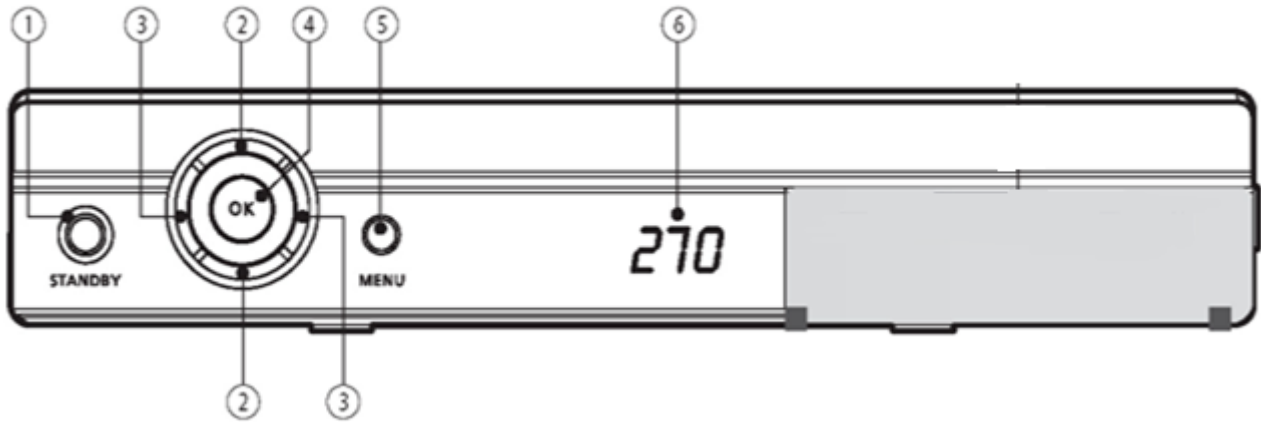
<Side View>



4. PHYSICAL & DESIGN CHARACTERISTICS

- Size (W*H*D): 250*45*190 [mm]
- Weight: less than 1.8Kg
- Top Cover & Sides Color: Black
- Bottom Case & Rear Panel Color: Metal
- Front Panel Color: Black

5. FRONT PANEL



① STANDBY (POWER)

- Used to switch the receiver to "ON" or "OFF".

② CH ▲/▼ (Program ▲/▼)

- Used to change channels without using the reomote control.

③ VOL ◀/▶

- Used to change volumes without using the remote control.

④ OK

- Used to select a program, a highlighted line or parameter value.

⑤ MENU

- Used to see main menu.

⑥ SEG. DISPLAY

- 4-digit 7-segment display channel information.

6. REAR PANEL



- The images and/or locations of each A/V and Data interface are subject to change for quality improvement without prior notice.

① ANT IN:

- To connect a terrestrial antenna for receiving broadcasting signal.

② LOOP OUT:

- To connect a TV set to receive analogue channels or to connect an extra receiver.

③ VCR SCART:

- To connect your receiver with your VCR, DVD or other video system using a SCART cable.

④ TV SCART:

- To connect your receiver with your TV set using a SCART cable.

⑤ AUDIO L/R:

- To connect the audio signal to an external amplifier or to the audio input of your TV.

⑥ VIDEO:

- To connect to your TV set without using a SCART cable or to VCR.

⑦ S/PDIF (Optical):

- To connect your receiver to digital audio amplifier

⑧ RF IN:

- To connect a television antenna input.

⑨ TV OUT:

- To connect to the RF signal from the receiver to the RF input jack on your TV.

⑩ RS-232:

- To connect to a personal computer for software upgrade.

⑪ ON/OFF

- To turn on or off the main power of the receiver.

⑫ POWER CORD:

- To connect to your main power supply.

7. ACCESSORIES

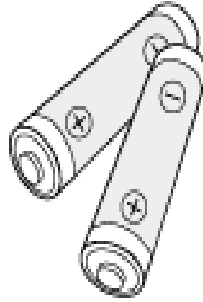
7-1 PACKAGE CONTENTS

- ① 1 x Receiver (KTF-I270)
- ② 1 x User's Manual
- ③ 1 x Remote Control
- ④ 2 x Batteries (AAA Type)

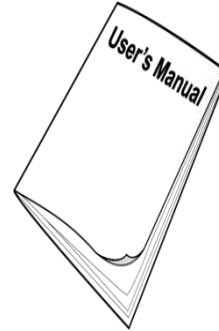
1) Remote Control Unit



2) Batteries



3) User's Manual



7-2 OPTIONAL

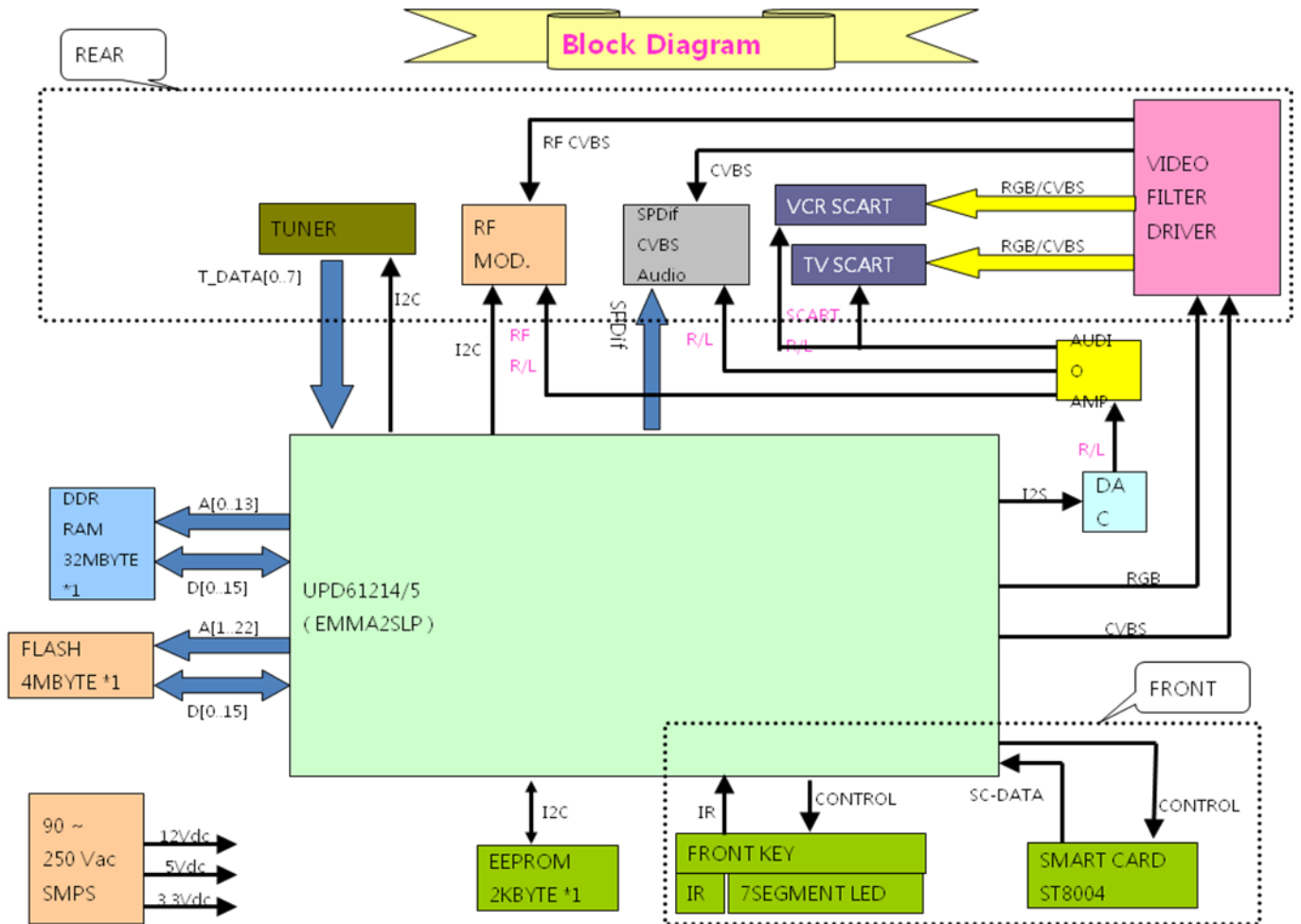
1) SCART Cable [Optional]



2) RCA Cable [Optional]



8. HARDWARE BLOCK DIAGRAM



9. SPECIFICATION

MAIN CHIPSET	
CHIPSET	STi5202 ST40 32-Bit Super Scaler RISC CPU 266MHz

MEMORY	
FLASH	8MByte
DDR RAM	128MByte
EEPROM	16Byte

TUNER AND CHANNEL	
RF INPUT CONNECTOR	IEC 600169-2, Female
RF LOOP THROUGH CONNECTOR	IEC 600169-2, Male
INPUT IMPEDANCE	75Ω Unbalanced
SIGNAL SPECTRUM	COFDM
TRANSMISSION MODE	2K/8K
BANDWIDTH	6, 7 AND 8MHz
INPUT FREQUENCY RANGE	50.5MHz – 858MHz VHF: 174 – 230MHz UHF: 474MHz – 858MHz
DEMODULATION MODE	QPSK, 16-QAM, 64-QAM
GUARD INTERVAL	1/4, 1/8, 1/16, 1/32
ERROR CORRECTION	1/2, 2/3, 3/4, 5/6, 7/8

MPEG TS A/V DECODING	
PROFILE LEVEL	H.264/MPEG-4 AVC MP@L3 MPEG-2 MP@ML
RF INPUT CONNECTOR	IEC 600169-2, Female
INPUT BIT RATE	Max. 90Mbit/s
ASPECT RATIO	4:3, 16:9
VIDEO RESOLUTION	720 x 576 for PAL and SECAM 720 x 480 for NTSC
FRAME RATE	25Hz for PAL and SECAM, 30Hz for NTSC

AUDIO DECODING MODES	MPEG-2 Low Complexity AAC (LC-AAC) MPEG-4 High Efficiency AAC (HE-AAC) MPEG-2 Layer II, MPEG-1 Layer I, II
AUDIO MODE	Mono Left / Right, Stereo, Dolby Digital
AUDIO SAMPLING RATE	32, 44.1 and 48KHz

A/V & DATA INPUT/OUTPUT	
TV SCART	RGB, CVBS, AUDIO L/R
VCR SCART	CVBS, AUDIO L/R
VIDEO OUT	1 x RCA Cinch
AUDIO OUT	2 x RCA Cinch
DIGITAL AUDIO OUTPUT	1 x SPDIF (Optical) - Dolby Digital Bitstream Out
RS-232 (DATA INTERFACE)	Transfer Rate 115,200bps, 9 Pin D-Sub Type

RF MODULATOR	
RF CONNECTOR	75Ω, IEC 169-2, Male/Female
FREQUENCY	47 – 860MHz
OUTPUT CHANNEL	CH 21 - 69
TV STANDARD	PAL B/G/I/D/K

POWER SUPPLY	
INPUT VOLTAGE	AC 90-250V
INPUT VOLTAGE FREQUENCY	50/60 Hz
TYPE	INTERNAL SMPS
POWER CONSUMPTION	Max. 15W
STANDBY CONSUMPTION	Max. 2W
PROTECTION	Separate internal fuse, chassis grounding and the input for lightning or electric shock protection